

## HD One Cable Power Unit

### MOP-UH114S, MOP-UH118S

#### FEATURES

The MOP-UH114S and MOP-UH118SF latest universal power supply unit are designed to use with HDTV, HDCVI, AHD & tradition analog single cable camera.

The unit transmits power and full HD video signal via single coaxial between power supply unit and camera.

MOP-UH114S (4Ch One Cable Power Supply Unit)

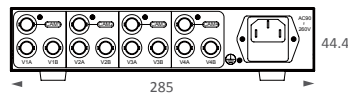


MOP-UH118S (8Ch One Cable Power Supply Unit)



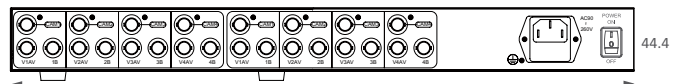
- ◆Transmitting Distance:
  - Under 250M using RG-59/U (3C2V) coaxial cable
  - 250~350M using RG-6A/U (5C2V) coaxial cable
  - 350~450M using RG-11A/U (7C2V) coaxial cable

MOP-UH114S (Rear View)



Tol:±0.5 Unit:mm

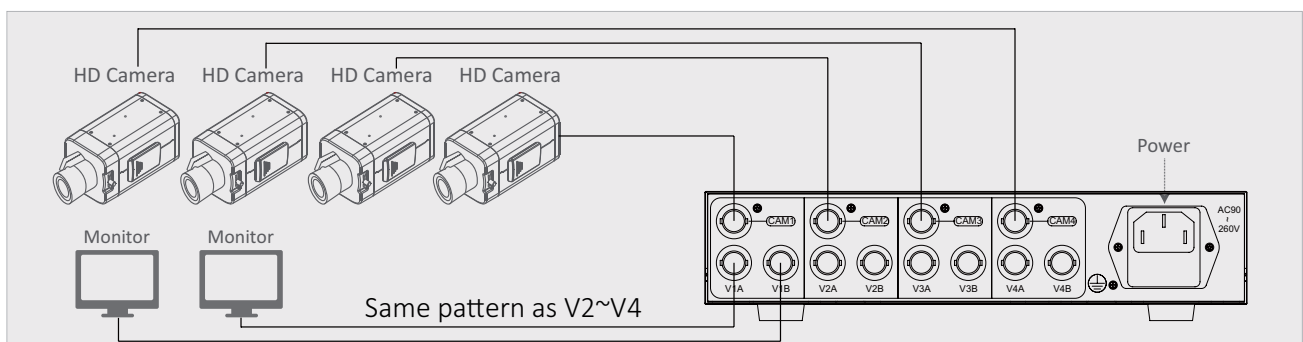
MOP-UH118S (Rear View)



#### SPECIFICATIONS

	MOP-UH114S	MOP-UH118S
	4Ch Universal HD One Cable Power Supply Unit	8Ch Universal HD One Cable Power Supply Unit
Power Source	AC 90~260V	
Power Consumption	40W(MAX)	80W(MAX)
Camera Input	HDTV, HDCVI, AHD 1080P/720P or Composite (CVBS) x 4 BNC	HDTV, HDCVI, AHD 1080P/720P or Composite (CVBS) x 8 BNC
Video Output	Video output x 4 & Looping out x 4	Video output x 8 & Looping out x 8
Maximum Distance	1080P: 3C2V 250 Meter; 720P: 5C2V 300 Meter; Composite (CVBS): 3C2V 300 Meter/5C2V 350 Meter	
Operating Temperature	-10°C~50°C	-10°C~50°C
Storage Temperature	-20°C~60°C	-20°C~60°C
Operating/Storage Humidity	Maximum: RH80% ; RH90%	Maximum: RH80% ; RH90%
Dimension	185 x 215 x 44.4 mm	430 x 280 x 44.4 mm
Weight	2.4 Kgs	4.2 Kgs

#### SYSTEM APPLICATIONS



\*Specifications are subject to change without notice. 150115