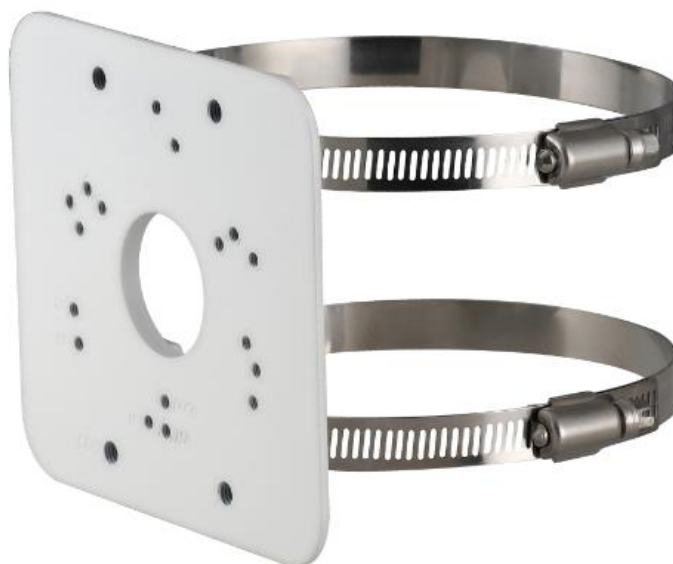


DH-PFA152-E

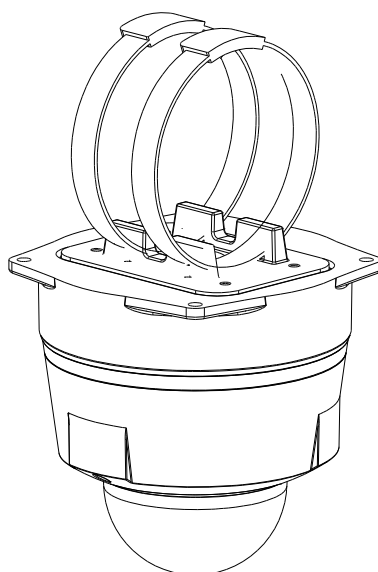
Pole Mount Bracket



Features

- Material: aluminum & SUS304
- Pole mount bracket
- Aesthetic design

Application



Package Information

- Pole mount bracket *1
- M4 screw *4
- M6 screw *4
- Wrench *1
- Metal hoop: 2