

# DH-PFA141

## Water-proof Power Box



### Features

- Material: aluminum & SECC
- IP66 power box
- Aesthetic design

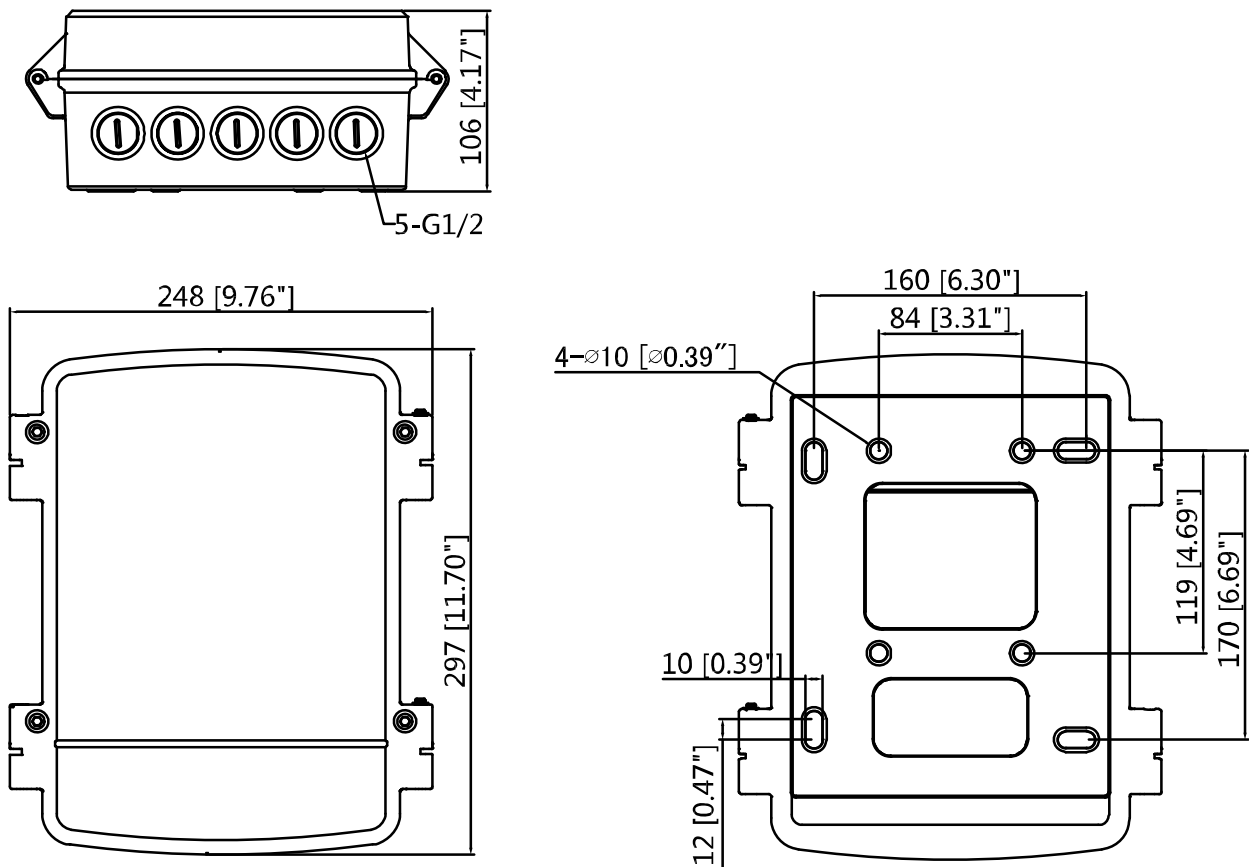
### Technical Specifications

<b>Model</b>	<b>DH-PFA141</b>
<b>General</b>	
Material	Aluminum & SECC
Dimension(WxHxD)	297mmx248mmx107mm (11.69"x9.76"x4.21")
Inch Thread	M20(G1/2")
Load Bearing	8.0kg(17.64lb)
Weight	3.2kg(7.05lb)
Color	White
Operating Temperature	-40°C~+60°C(-40°F~+140°F)
Humidity	0~90% RH
Applicable Model	Please see "Accessory Selection"

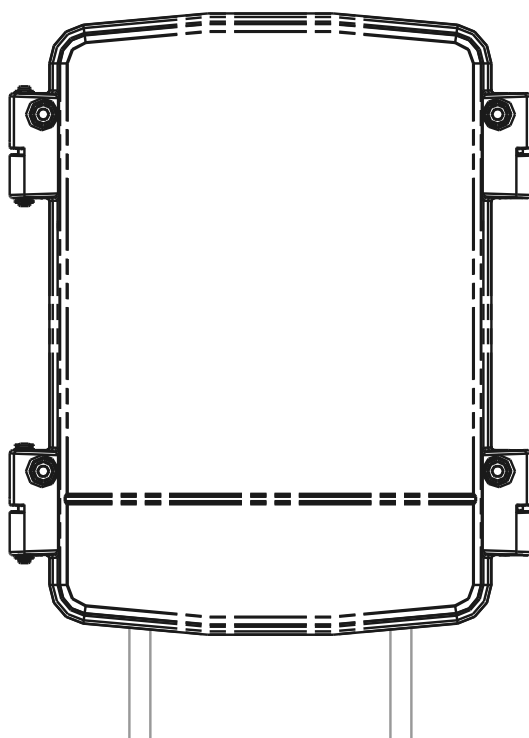
### Order Information

Type	Part Number	Description
Power Box	DH-PFA141	Water-proof power box
	PFA141	Water-proof power box

### Dimensions (mm/inch)



## Application



## Package Information

- Power box \*1
- M8 plastic anchor \*4
- Wrench \*1
- Water joint \*3
- User manual \*1