

DH-PLZ1040-D

4 MegaPixel 2.7-12mm Lens

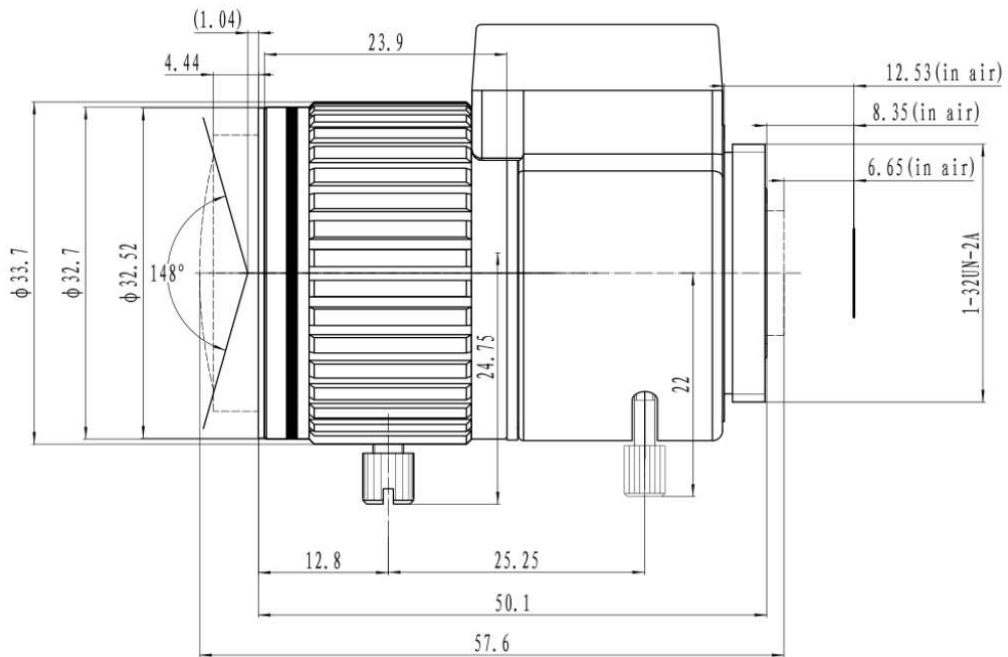


Specifications

Model		DH-PLZ1040-D
Parameter		
Image format		1/2.7"
Focal length		2.7-12mm
Aperture		F1.6
Field Angle	1/2.7"	W: 137.8°(D)x102.6°(H)x74.3°(V)~T: 37.2°(D)x29.9°(H)x22.6°(V)
	1/3"	W: 120.1°(D)x91.3°(H)x66.3°(V)~T: 33.9°(D)x27.1°(H)x20.3°(V)
M.O.D.		0.3m
TV Distortion		-69.58%(W)~-3.3%
IR Correction		Yes
Lens Control	Focus	Manual
	Zoom	Manual
	Iris	DC-Iris
Mount		CS
Dimension		ø33.7x57.6mm
Weight		73.5g
Operating temperature		-30℃~+70℃

DH-PLZ1040-D

Dimensions (mm)



Dahua Technology Co., Ltd.

1199 BinAn Road, Binjiang District, Hangzhou, China

Tel: +86-571-87688883

Fax: +86-571-87688815

Email: overseas@dahuatech.com

www.dahuasecurity.com

*Design and specifications are subject to change without notice.

© 2016 Dahua Technology Co., Ltd.